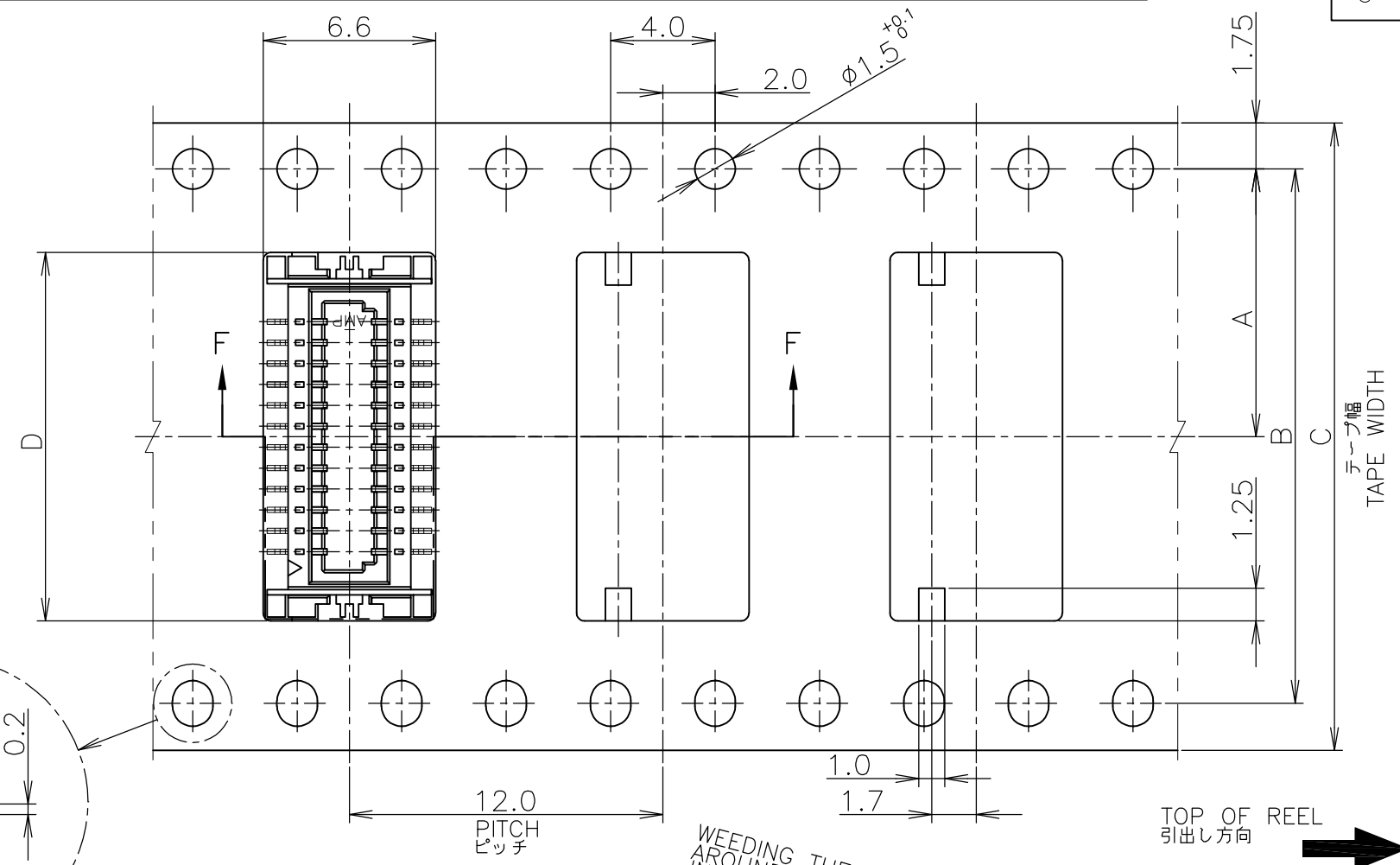
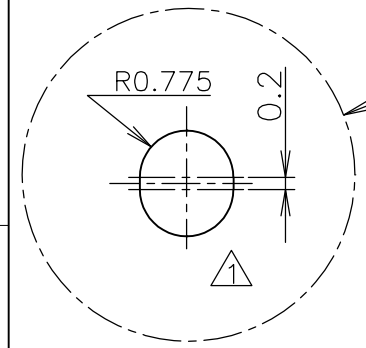
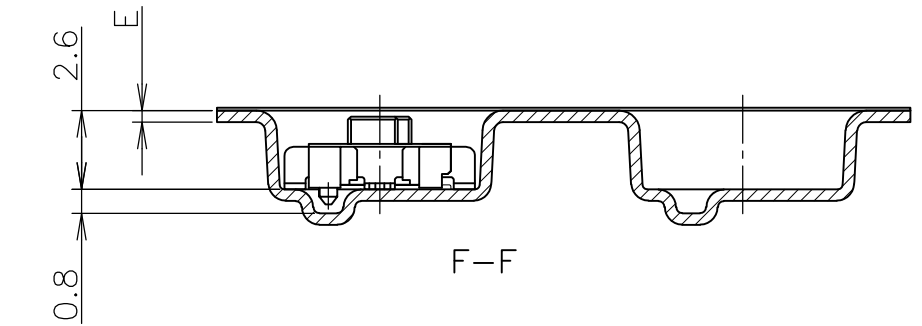


THIS DRAWING IS UNPUBLISHED. RELEASED FOR PUBLICATION FEB, 1994.
 © COPYRIGHT 1994 BY TYCO ELECTRONICS CORPORATION. ALL RIGHTS RESERVED.

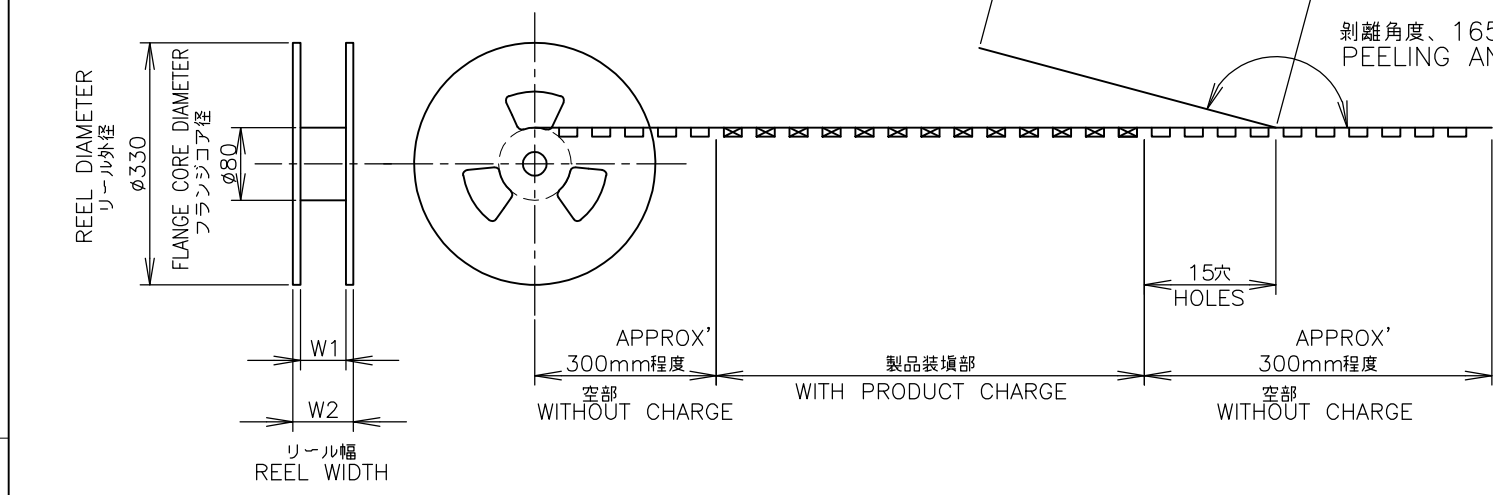
LOC	DIST	REVISIONS					
J		P	LTR	DESCRIPTION	DATE	DWN	APVD
		H	REVISED	ECR-07-019218	14AUG07	T.T	T.F



△ 指示穴は40極品以上に適用。
 △ THESE HOLES ARE APPLIED TO 40 POS OR MORE.



WEEDING THE COVER TAPE AROUND THE OUTER PERIPHERY IN A TURN.
 カバーテープ リーダー部 外周一巻
 剥離角度、165°~180° PEELING ANGLE.



OBSOLETE	49.5	45.5	0.38	24.5	44	40.4	20.2	1500	50	5-179396-0
	37.5	33.5	↑	20.5	32	28.4	14.2	↑	40	4-↑-0
	↑	↑		16.5	↑	---	↑		30	3-↑-0
	29.5	25.5		14.1	24	---	11.5		24	2-↑-4
	↑	↑		10.9	↑	---	↑		16	1-↑-6
	21.5	17.5	0.38	10.1	↑	---			14	1-↑-4
	22.4	16.4	0.4	9.3	16	---	7.5	1500	12	1-179396-2
	W2	W1	E	D	C	B	A	数量 (ヶ) QTY/REEL	極数 POS	リール巻 コネクタ型番 TAPING P/N

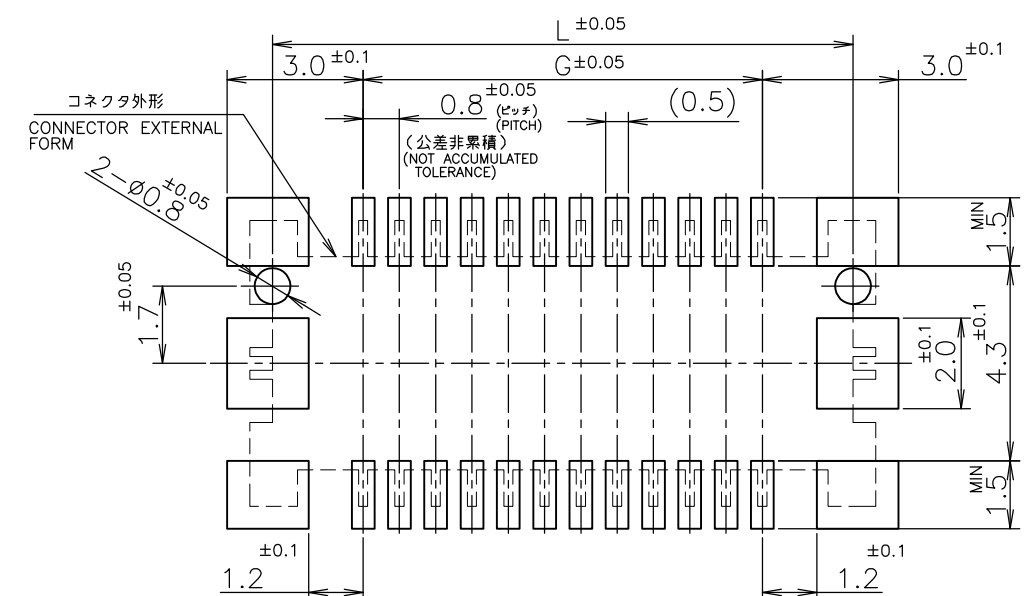
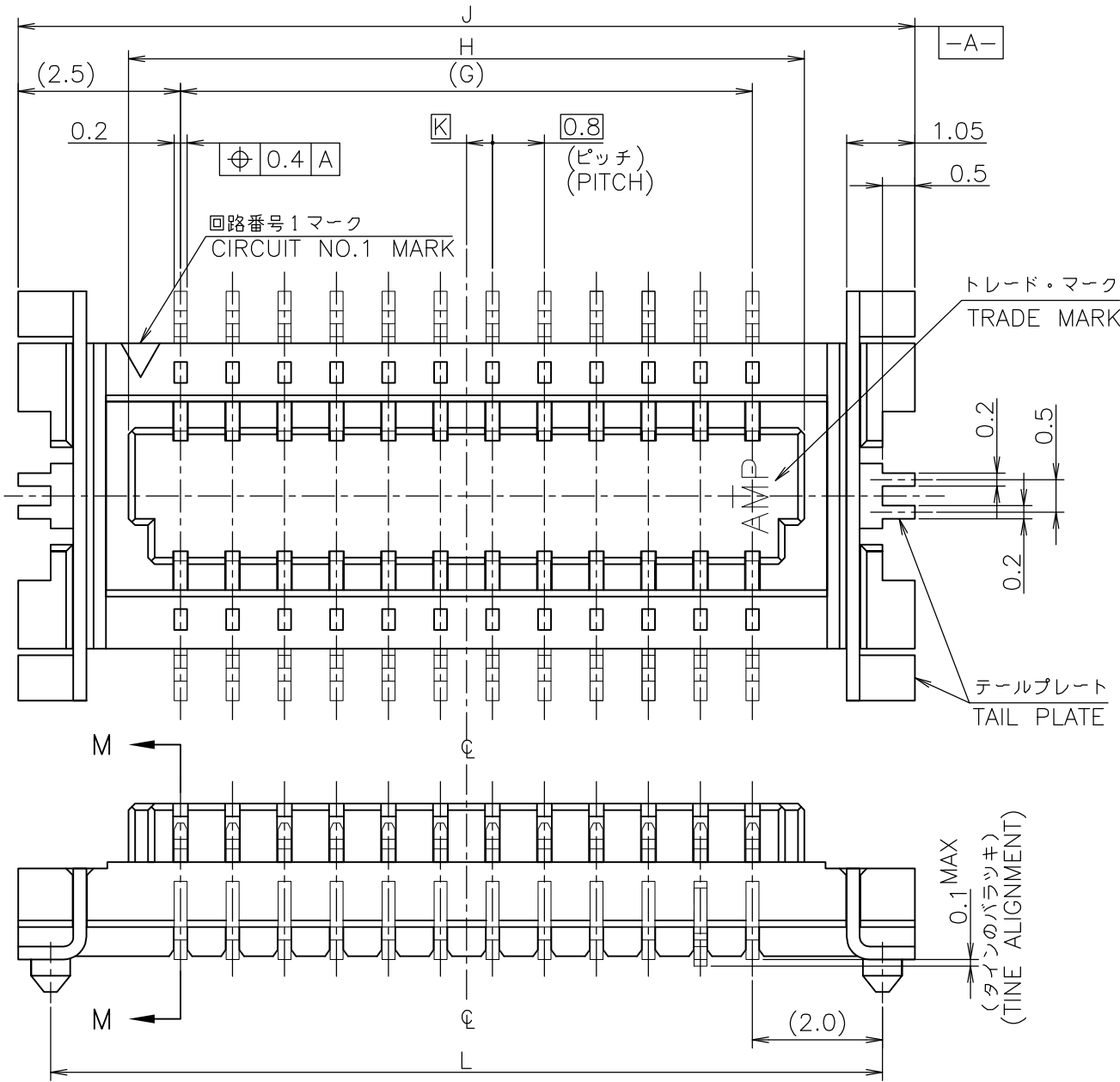
INSTRUCTION SHEET 411-5654
 取扱説明書

THIS DRAWING IS A CONTROLLED DOCUMENT.

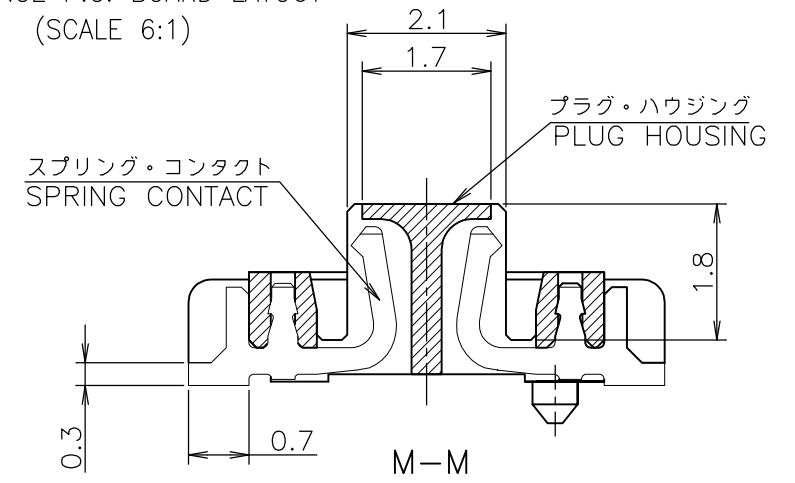
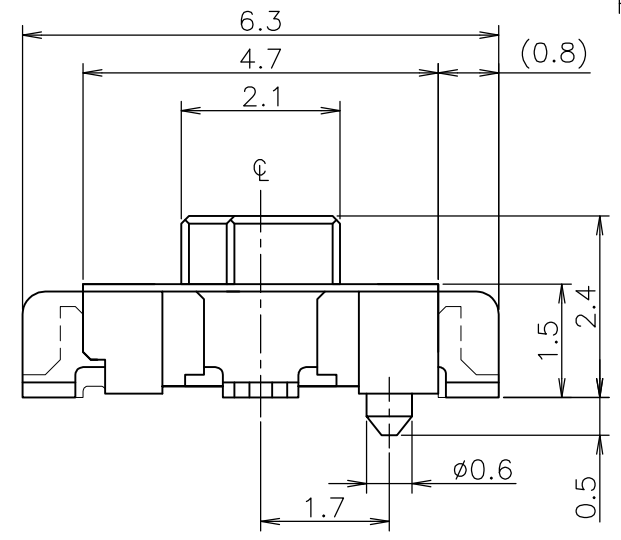
DIMENSIONS: 単位: 耗 mm	TOLERANCES UNLESS OTHERWISE SPECIFIED: 一般公差	DWN K.ASAKAWA 24FEB94	Tyco Electronics Tyco Electronics Corporation Kawasaki, Japan
0 PLC ± 0.2	1 PLC ± 0.2	CHK S.KUBOUCHI 24FEB94	
2 PLC ± 0.2	3 PLC ± 0.2	APVD S.KUBOUCHI 01NOV96	NAME 名称 ON TAPING EMBOSS PLUG ASSEMBLY WITH BOSS 0.8mm PITCH BOARD TO BOARD CONNECTOR MATING HEIGHT 3.0mm
4 PLC ± 0.2	ANGLES ± 3'	PRODUCT SPEC 製品規格 108-5424	
MATERIAL 材料	FINISH 仕上	APPLICATION SPEC 取付適用規格	SIZE A3
CUSTOMER DRAWING		WEIGHT	CAGE CODE 00779
			DRAWING NO G-179396
			RESTRICTED TO
		SCALE 尺度 4:1	SHEET 1 OF 2
			REV H

THIS DRAWING IS UNPUBLISHED. RELEASED FOR PUBLICATION FEB , 1994.
 © COPYRIGHT 1994 BY TYCO ELECTRONICS CORPORATION. ALL RIGHTS RESERVED.

LOC	DIST	REVISIONS			DATE	DWN	APVD
		P	LTR	DESCRIPTION			
J				SEE SHEET 1	-	-	-



参考基板加工寸法 (t=0.6 MIN.)
 REFERENCE P.C. BOARD LAYOUT
 (SCALE 6:1)



△ 材料: ハウジング - 6T NYLON (高耐熱性ナイロン)
 ガラス30%, 色: ベージュ
 コンタクト - 燐青銅・錫めっき(0.2t)
 テールプレート - 燐青銅・錫めっき(0.2t)

△ MATERIAL: HOUSING - 6T NYLON (HIGH HEAT-RESISTED NYLON), GF30%,
 COLOR: BEIGE.
 CONTACT - POST-TIN/PHOS-BROZ(0.2t)
 TAIL PLATE - POST-TIN/PHOS-BROZ(0.2t)

0.410	23.2	—	24.2	20.75	19.2	50
0.340	19.2	0.4	20.2	16.75	15.2	40
0.270	15.2	—	16.2	12.75	11.2	30
0.228	12.8	0.4	13.8	10.35	8.8	24
0.172	9.6	0.4	10.6	7.15	5.6	16
0.158	8.8	—	9.8	6.35	4.8	14
0.144	8.0	0.4	9.0	5.55	4.0	12
重量(g) WEIGHT	L	K	J	H	G	極数 POS

THIS DRAWING IS A CONTROLLED DOCUMENT.		DWN	Tyco Electronics Corporation Kawasaki, Japan			
DIMENSIONS: 単位: 耗 mm		CHK	NAME 名称			
TOLERANCES UNLESS OTHERWISE SPECIFIED: 一般公差		APVD	ON TAPING EMBOSS PLUG ASSEMBLY WITH BOSS 0.8mm PITCH BOARD TO BOARD CONNECTOR MATING HEIGHT 3.0mm			
0 PLC ± 0.2 1 PLC ± 0.2 2 PLC ± 0.2 3 PLC ± 0.2 4 PLC ± 0.2 ANGLES ± 3'		PRODUCT SPEC 製品規格	SIZE	CAGE CODE	DRAWING NO 番号	RESTRICTED TO
MATERIAL 材料 SEE NOTE △ 注△参照		APPLICATION SPEC 取付適用規格	A3	00779	G-179396	—
FINISH 仕上 SEE NOTE △ 注△参照		WEIGHT	CUSTOMER DRAWING		SCALE 尺度 10:1	SHEET 2 OF 2
					REV H	